

LIFE.S

LEAVE ROUTINE BEHIND DISCOVER THE FLEXIBLE WORLD OF LIFE.S



Opening up scope for renewal. With greater flexibility!

“New Work” is the spirit that pervades pioneering office landscapes and that drives powerful processes of renewal within companies: **innovative workplace models facilitate greater agility and the ability to choose between concentration and communication in open space layouts.**

With the LIFE.S desk system, we pave the way for you to take advantage of this innovative potential within your company. Discover individual and team workstations and conference tables that highlight your work culture. Customise your furniture and transform it into a distinctive reflection of your company. Create an environment that encourages performance and fosters a sense of well-being amongst your employees.





BE MORE EFFECTIVE STANDING. SITTING. MEETING.

Work is motion. This applies to the individual, who sometimes achieves better results when sitting, and sometimes when standing. And it applies to the team, which is able to try out new constellations and enjoy the benefits of co-working.

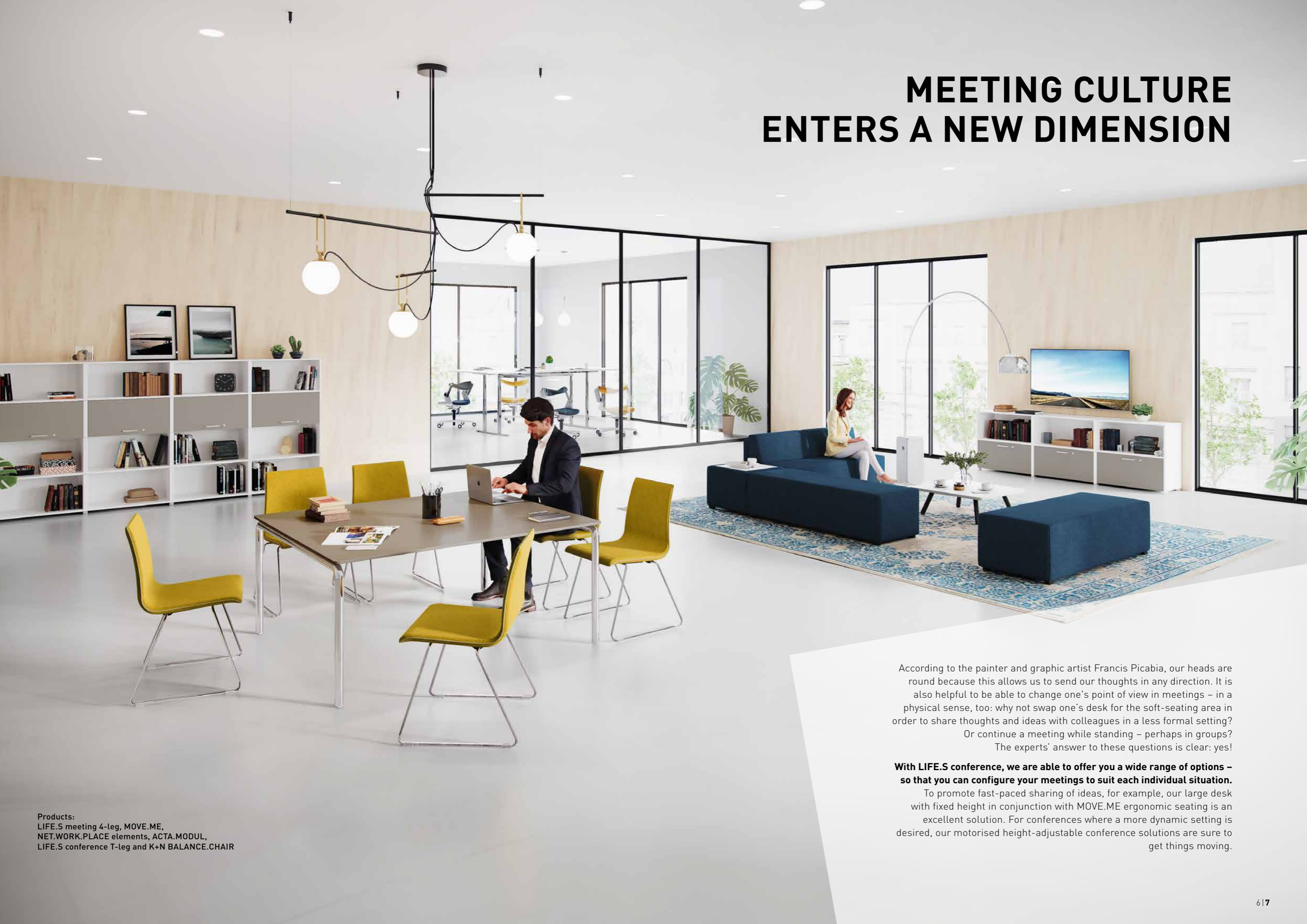
This versatility reflects changing daily requirements and is standard for our LIFE.S desk system. Our individual workstations can be supplied as height-adjustable T-leg configurations that enables them to be used as sitting/standing workstations. In addition, acoustically effective fly-by screens offer privacy even in open space layouts. You need to quickly turn your attention to your colleague? The TENZA.NEXT task chair makes you mobile while helping you maintain a healthy back posture. Thanks to the system's modular expandability, temporary teams can be integrated with ease. And our pull-out sidefiler provides you with perfect storage.

Products:
LIFE.S T-leg, TENZA.NEXT, NET.WORK.PLACE
elements, MOVE.MIX, pull-out sidefilers,
NET.WORK.PLACE ORGANIC elements



LIFE.S T-leg is also available as a double bench.

MEETING CULTURE ENTERS A NEW DIMENSION



Products:
LIFE.S meeting 4-leg, MOVE.ME,
NET.WORK.PLACE elements, ACTA.MODUL,
LIFE.S conference T-leg and K+N BALANCE.CHAIR

According to the painter and graphic artist Francis Picabia, our heads are round because this allows us to send our thoughts in any direction. It is also helpful to be able to change one's point of view in meetings – in a physical sense, too: why not swap one's desk for the soft-seating area in order to share thoughts and ideas with colleagues in a less formal setting? Or continue a meeting while standing – perhaps in groups? The experts' answer to these questions is clear: yes!

With LIFE.S conference, we are able to offer you a wide range of options – so that you can configure your meetings to suit each individual situation.

To promote fast-paced sharing of ideas, for example, our large desk with fixed height in conjunction with MOVE.ME ergonomic seating is an excellent solution. For conferences where a more dynamic setting is desired, our motorised height-adjustable conference solutions are sure to get things moving.

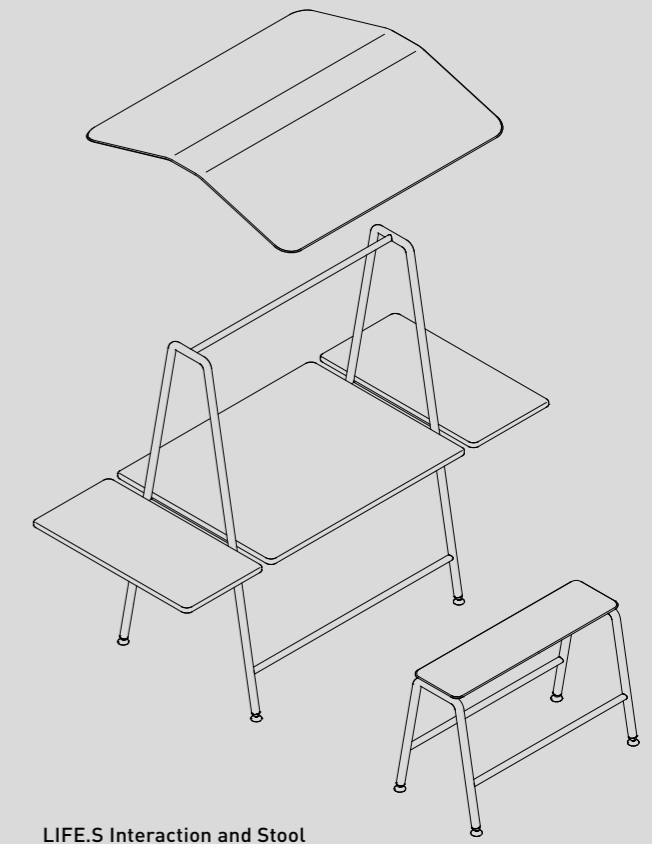
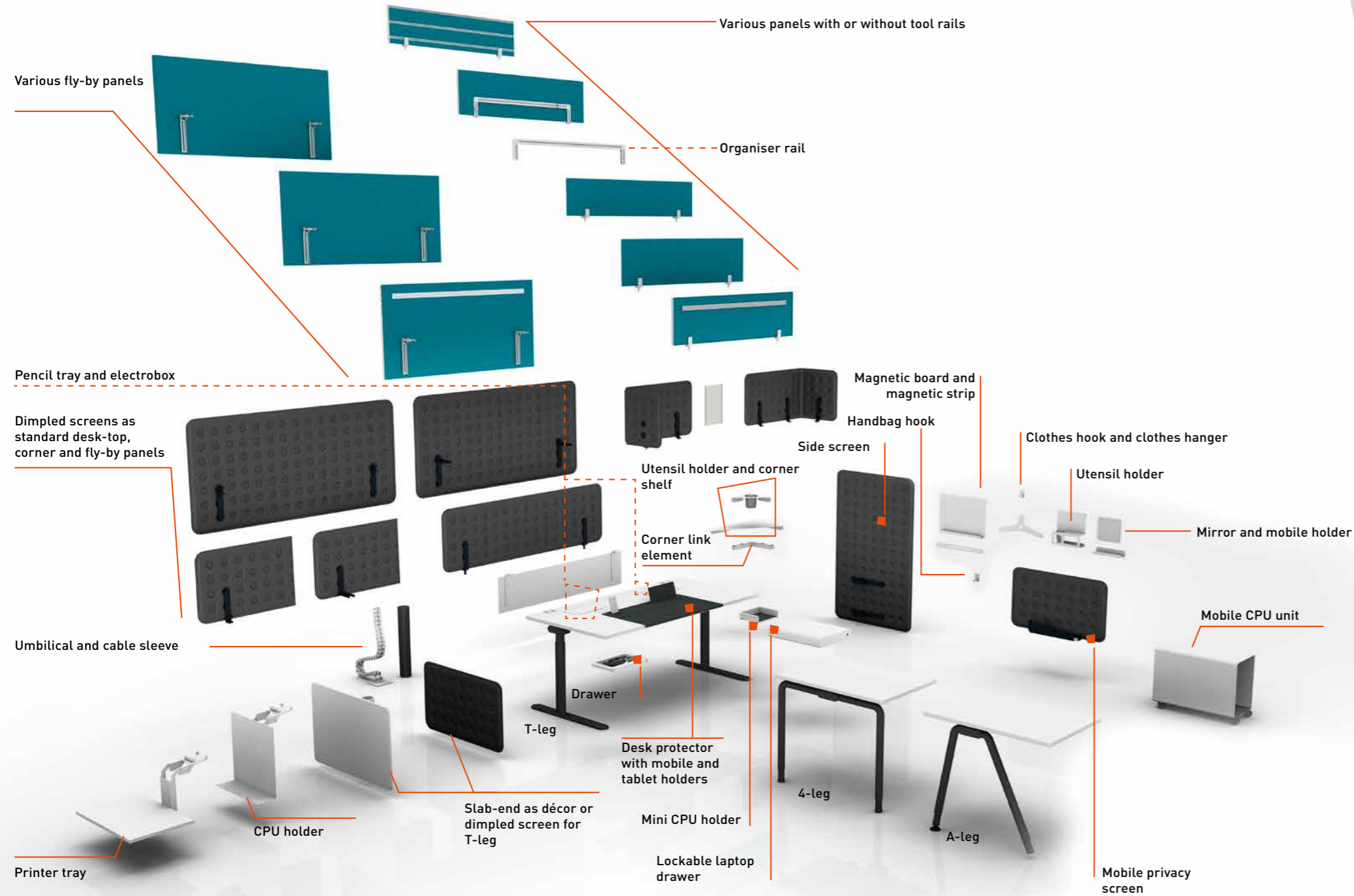
“The first step towards a better working culture is the choice of the correct furniture”

LIFE.S

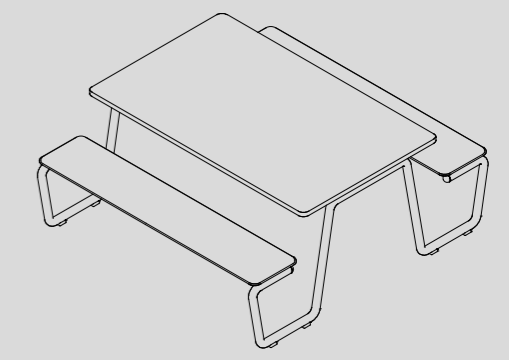
WE'VE THOUGHT OF EVERYTHING THAT MAKES PEOPLE'S WORK MORE AGILE AND EFFECTIVE

SHORT MEETINGS

DESK SYSTEM



LIFE.S Interaction and Stool



LIFE.S Indoor

FOR FAST IMPROMPTU MEETINGS

LIFE.S Indoor
Bench-Desk-Combination
Free-standing | Meeting

- + For spontaneous meetings
- + Upholstered bench seats
- + With optional wire management and media wall



Various fabrics and materials available.



Various fabrics and materials available.



LIFE.S Interaction and LIFE.S stool
Stand-up desk and bench seat
Short meetings | Urban design

- + For communication and bistro areas
- + Combined with a high bench seat (upholstered)
- + Acoustic canopy and walls for more concentration



INTELLIGENT AND VERSATILE TO THE VERY LAST DETAIL



Single workstations
Available as A-leg, T-leg or 4-leg.



Team workstation
Available as A-leg bench, T-leg double bench and 4-leg bench.



Short meetings
Are a breeze with LIFE.S Indoor and LIFE.S Interaction.

Meeting tables and conference systems
A variety of configurations, shapes and sizes are available for larger groups.

DETAILS



1

1 | CONFERENCE SET-UP
Height-adjustable T-leg.



2



2

2 | SLAB-END
Design element to match the dimpled screens, fits easily on the T-leg with adapters.



3

3 | CABLE SLEEVE
For tidy cable management.



4



5

4 | HIGHLIGHTS AND 5 | CANTILEVER FOOT
In various colours for a customised look.



6

6

6 | DESK TOPS
Either square or rounded.



7

7 | DESK PROTECTOR
Made of soft grey felt for a homely touch. With mobile and tablet holders.



8



9

8 | LOCKABLE DRAWER
A secure place to keep your laptop and personal effects.

9 | ORGANISABLE CORNER SCREEN
Corner shelf and penholder can be positioned exactly where you need them with magnets.



10



10

10 | OTHER ACCESSORIES
Magnetic board and strip for important notes. Mobile phone tray and utensil holder close to hand. Easy to fit with magnets.




10




10

PRODUCT OVERVIEW



		Single workstation				Bench		
Frame								
T-frame, round tube		■				■		
A-frame, round tube			■				■	
4-leg frame, round tube				■				■
C-frame, round tube					■			
Dimensions								
Widths	800 mm, 1000 mm, 1200 mm, 1400 mm, 1600 mm, 1800 mm, 2000 mm	■	■	■	■			
	1200 mm, 1400 mm, 1600 mm, 1800 mm, 2000 mm					■	■	■
Depths	600 mm, 800 mm, 900 mm, 1000 mm	■	■	■	■			
	1600 mm					■	■	■
Height adjustments								
Fixed	720 / 732 mm with 10 mm levelling adjustment	■	■			■	■	
Height-adjustable	650 – 850 mm height adjustment, with Allen key	■	□	□	■	■		
Electric motor	680 – 1180 mm single telescope 650 – 1250 mm double telescope	□				□		
Worktops								
Laminated chipboard		■	■	■	■	■	■	■
Wood-product panel, veneer		■	■	■	■	■	■	■
Table top thickness 25 mm		■	■	■	■	■	■	■
Table top thickness 13 mm		■	■	■	■	■	■	■
Table top corners standard		■	■	■	■	■	■	■
Table top corners rounded		□	□	□	□	□	□	□



		Single workstation				Bench		
Accessories								
3rd level	Via adapter	□	□	□				□
Below the top	Modesty panel	■	■	■	■			
Fits to side of frame	CPU holder, printer extension	■	■	■				
	Slab end	■						
Railing	Railing with tool rail to hold storage accessories or flat screen arms; fabric or acrylic panel, with organiser slots on both sides	■	■	■	■			■
Desk screens	Covered with fabric, optionally acoustic fabric	■	■	■	■			■
Flyby screens	Which fit behind the desktop via brackets	■	■	■	■			
Central screens	Which fit on central bench desk, fabric-covered						■	■
Dimpled screens	Which fit on the adapter	■	■	■	■			■
Dimpled screens	Which fit on the desk console	□	□	□	□			
Fly-by dimpled screens	Which fit behind the desktop with brackets	■	■	■	■			
Dimpled screens	Which fit on the clip adapter	□	□	□	□		■	■
Dimpled side screen	Which fit on the T-frame HU	■						
Wire management								
Horizontal	Cable tray, cable tray opens both sides, hinged, cable clamps	□	□	□	□		□	□
Vertical	Cable chain	□	□	□	□		□	□
Vertical	Cable sleeve	□	□	□			□	□
Cut-outs/Adapter		□	□	□	□			
Sliding top		□	□	□	□		■	■

■ Standard □ Optional



MADE BY KÖNIG + NEURATH

YOU WILL FIND ALL THE PRODUCTS SHOWN HERE IN THIS CATALOGUE




reddot award 2015
best of the best

MOVE.ME
Dynamic seating required.



NET.WORK.PLACE
Multi-talent for flexible communication areas.



TENSA.NEXT
The next generation.



JET.III
Organic and versatile.




interior innovation
winner

ACTA.MODULE
A stacking miracle with growth potential.

König + Neurath is one of the leading brands for office furniture and rooms systems and develops solutions for individual work cultures.

Together with specialist retailers, König + Neurath supports its customers throughout the entire process of outfitting offices. With differentiated style collections, design-conscious furniture and digital solutions, the family-owned company, established in 1925, helps its customers to adapt successfully to the changing nature of the workplace.

Deutschland

König + Neurath AG
Büromöbel-Systeme
Industriestraße 1-3
61184 Karben
T +49 6039 483-0
info@koenig-neurath.de
www.koenig-neurath.de

Great Britain

K + N International
(Office Systems) Ltd
52 Britton Street
London EC1M 5UQ
T +44 20 74909340
info@koenig-neurath.co.uk
www.koenig-neurath.co.uk

Nederland

König + Neurath Nederland
Office Furniture
Beethovenstraat 530
1082 PR Amsterdam
T +31 20 4109410
info@konig-neurath.nl
www.konig-neurath.nl

France

König + Neurath AG
Showroom Paris
66, rue de la Victoire
75009 Paris
T +33 1 44632393
info@koenig-neurath.fr
www.koenig-neurath.fr

Schweiz

König + Neurath (Schweiz) GmbH
Büromöbel-Systeme
St. Gallerstrasse 106 d
CH-9032 Engelburg / St. Gallen
T +41 52 7702242
info@koenig-neurath.de
www.koenig-neurath.de

