

Variety and modularity  
TALO.YOU, K+N NOOK AND QUICK.III

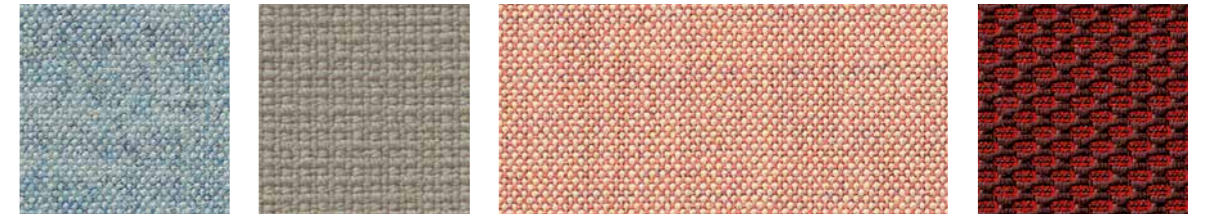
# LET'S CHANGE! IDEAS FOR NEW WORK



# Working situations can transform quickly - our furnishing ideas changes with you!

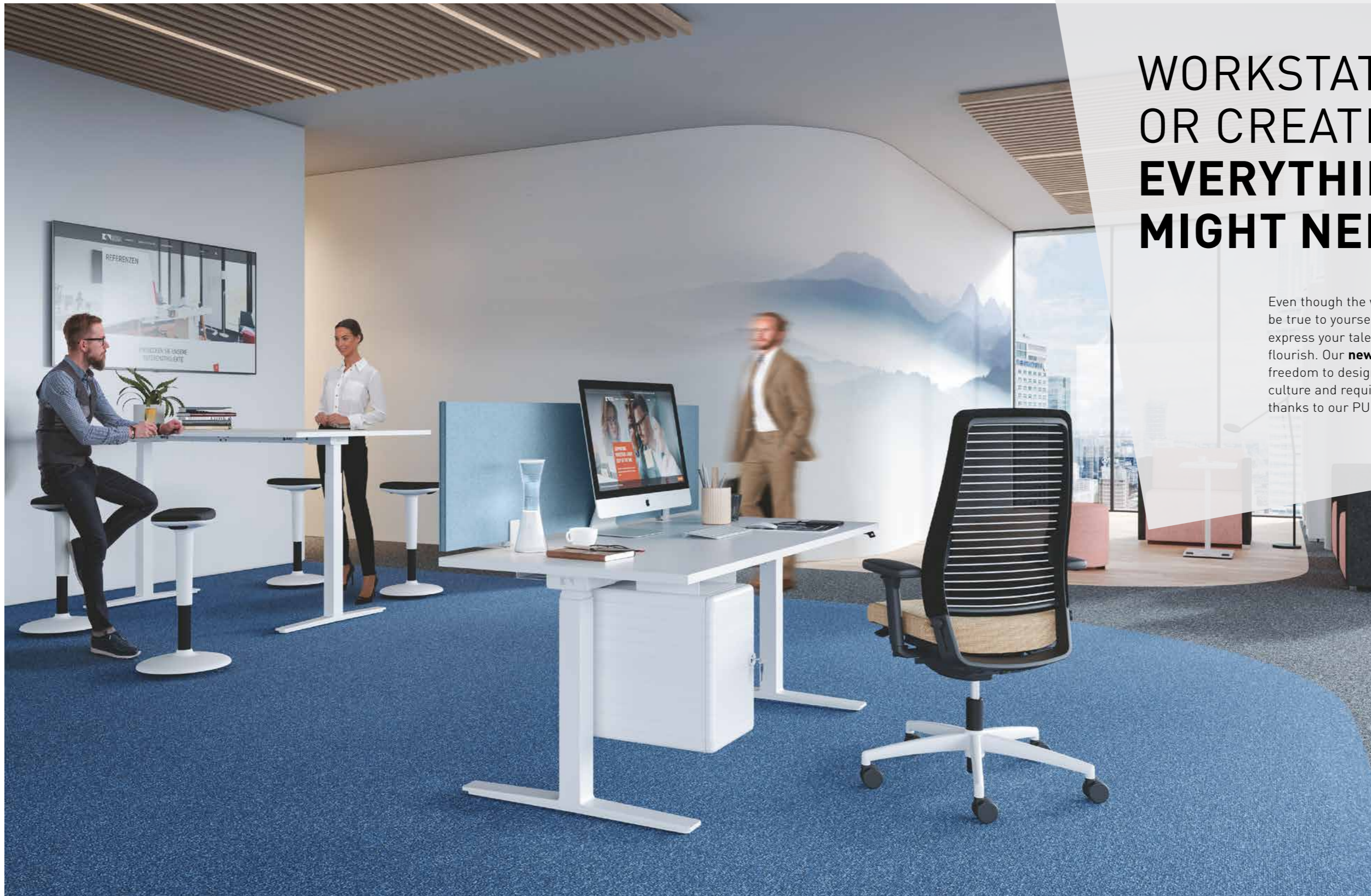
The developments associated with the covid-19 pandemic have catapulted us into a new reality at alarming speed. Suddenly it's here, the future. And we're right in it! We've had to rethink things at König + Neurath too. We initiated change processes and analysed our product range with regard to its capacity to respond to a variety of potential scenarios.

We are now able to present the results:  
a work setting that adapts completely to your needs.  
**Your working environment, customised by you!**



# WORKSTATION OR CREATIVE ZONE – EVERYTHING YOU MIGHT NEED TODAY

Even though the world's changing all the time – you can still be true to yourself. Make the most of your individual skills, express your talents and create a setting that allows them to flourish. Our **new TALO.YOU desk system** gives you total freedom to design individual workspaces to suit your work culture and requirements. Individuality in the purest sense, thanks to our PURE style collection.



#### Multifunctional storage

The Personal Box in black (recycled plastic) or white is a secure place to keep your work utensils. It can be mounted under the desk or is alternatively available on castors with a seat pad.

Products:  
TALO.YOU single workstation with Personal Box, OKAY.III, TALO.YOU meeting table with QUICK.III,  
NET.WORK.PLACE elements

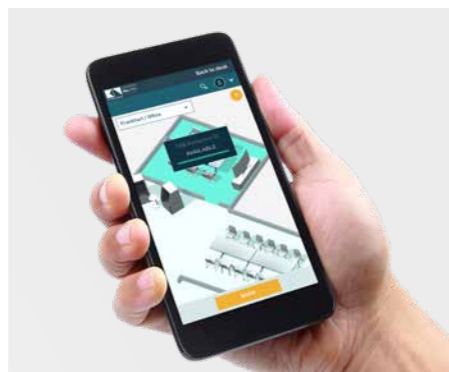




Products:  
 TALO.YOU Bench with slab end, AURAY low back, Personal Box on castors,  
 QUIET.BOX Duo XL, K+N NOOK, round meeting table

## OUR VISION: SCALABLE SOLUTIONS

The digital transformation has swept through everything in its path, including the workplace. If the analogue world is to keep pace with the rapid changes, it needs to be flexible. With our customisable furnishing ideas, we can reflect the full variety of working styles. In a way that makes changes simple to implement at any time. TALO.YOU can be configured as an individual workstation with screens for privacy, as a team bench or even a meeting solution. Our digital tool K+N SMART.OFFICE also helps you book free desks or meeting spaces.



**A smart solution**  
 Our K+N SMART.OFFICE tool serves as a digital door label, allowing you to see which rooms or workstations are free, occupied or booked via a tablet or straight to your phone.



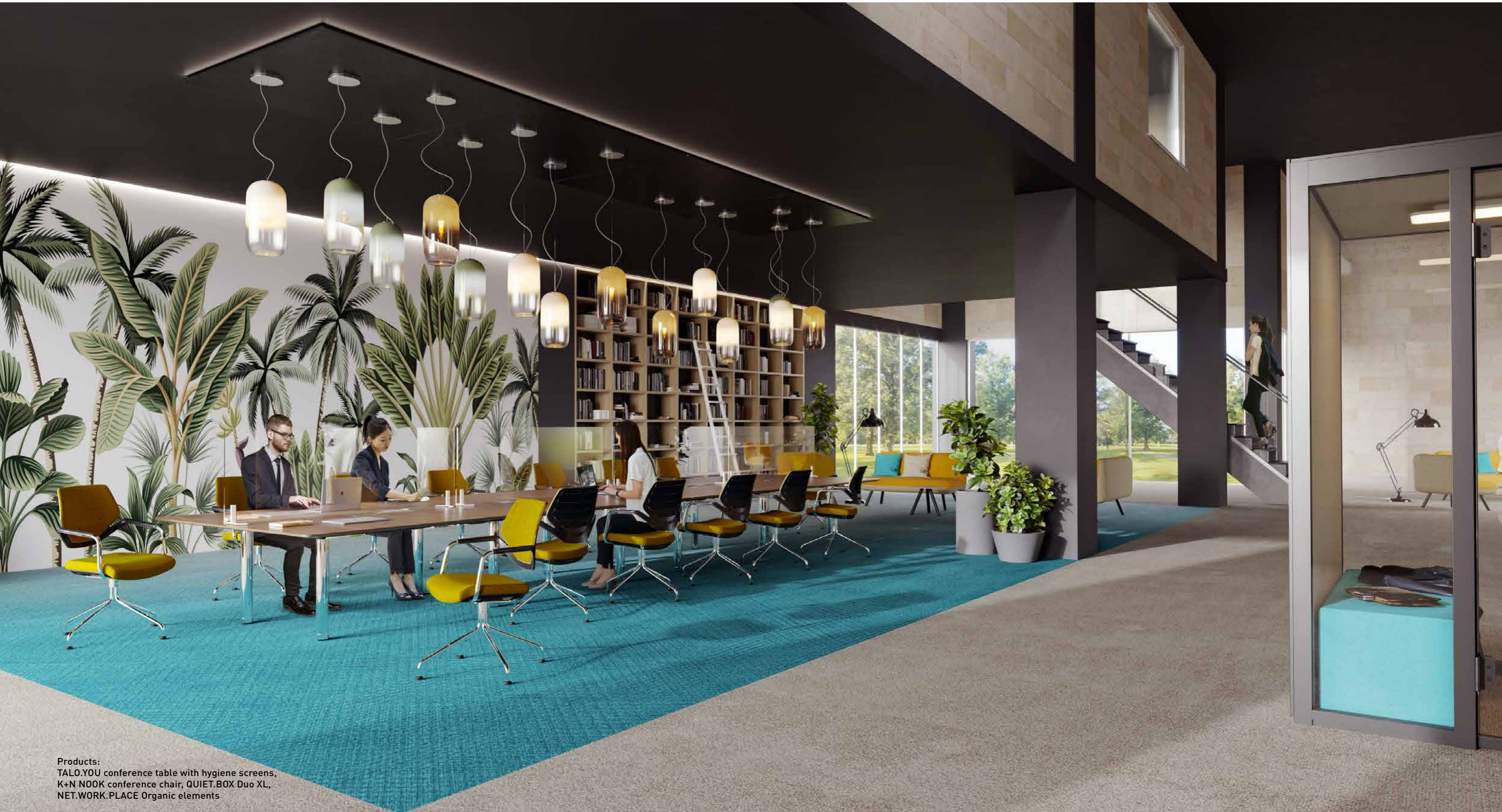
## RADICAL CHANGE? TRANSFORMATION? **WORKFLOW!**

The recipe for success for good ideas and sustainable development is: agility. Quick rethinking, transparent communication and a proactive approach are most likely to be effective in a working environment that can adapt. Not just to the task, but also the solution. Like **TALO.YOU**. As a **flexible nesting table** it's as mobile as the lightweight **sit-stand support QUICK.III**.

Products:  
TALO.YOU nesting table with hygiene screens, QUICK.III, K+N NOOK counter chair,  
LIFE.S Interaction, NET.WORK.PLACE Organic elements

# ZOOM IN: ADD VALUE TO YOUR MEETINGS

How will we work tomorrow? Together, that's for sure. They say connectivity is the most influential trend of our times. Networking has many aspects. It works best if it happens in inspiring spaces where communication takes place – digital or analogue, it doesn't matter which – and the creative juices begin to flow. Our **TALO.YOU conference system** gives you plenty of freedom where design is concerned: shapes, finishes, materials and colours are all scalable for any application.



Products:  
TALO.YOU conference table with hygiene screens,  
K+N NOOK conference chair, QUIET.BOX Duo XL,  
NET.WORK.PLACE Organic elements



## STAY HOME STAY CONNECTED

Products:  
TALO.YOU with A-leg frame, K+N NOOK visitor chair, Personal Box on castors,  
NET.WORK.PLACE Organic elements, MOVE.MIX contract chair, ACTA.PLUS sliding door cabinet

Suddenly remote working has become part of the office routine for lots of people – and it's likely to stay that way. Decentral structures not only encourage individual freedom, they also change offices and the way we view our homes. The **TALO.YOU individual workstation** can be fully customised to suit your style and is also highly versatile, allowing your office to function as a harmonious complement to your home. To go with it, you can configure our new comfortable **K+N NOOK** so it's exactly how you like it.

**What's the most important  
factor in office planning?**

**You!**

**Discover the variety of our  
customisable furniture**

**TALO.YOU  
K+N NOOK  
QUICK.III**



# TALO.YOU

## TALO.YOU

- + **Can be configured for all applications:**  
Single workstation, bench, and conference, meeting or nesting tables
- + Leg frame design round or square tube
- + A-leg frame, also on castors
- + **Height adjustment:**  
Height adjustment from 650 to 850 mm  
Motorised height adjustment from 640 to 1300 mm
- + Fixed height of 750 mm for conference tables and nesting tables
- + Metal cable tray/clip-down cable tray, plastic clip-down cable tray
- + Variety of extensions and accessories
- + Wide range of desktop electrics options, cable slot
- + Optional: delivery in component form, boxed



# K+N NOOK AND QUICK.III

## K+N NOOK

### VISITOR CHAIR AND CONFERENCE CHAIR

- + Stylish split-shell backrest (plastic), unupholstered or with cushion pad
- + Armrest in black plastic is attached directly to the backrest
- + Various base types/styles available
- + Conference chair on height-adjustable starbase, fixed seat and backrest
- + Clip-on seat and back pads can be replaced without tools

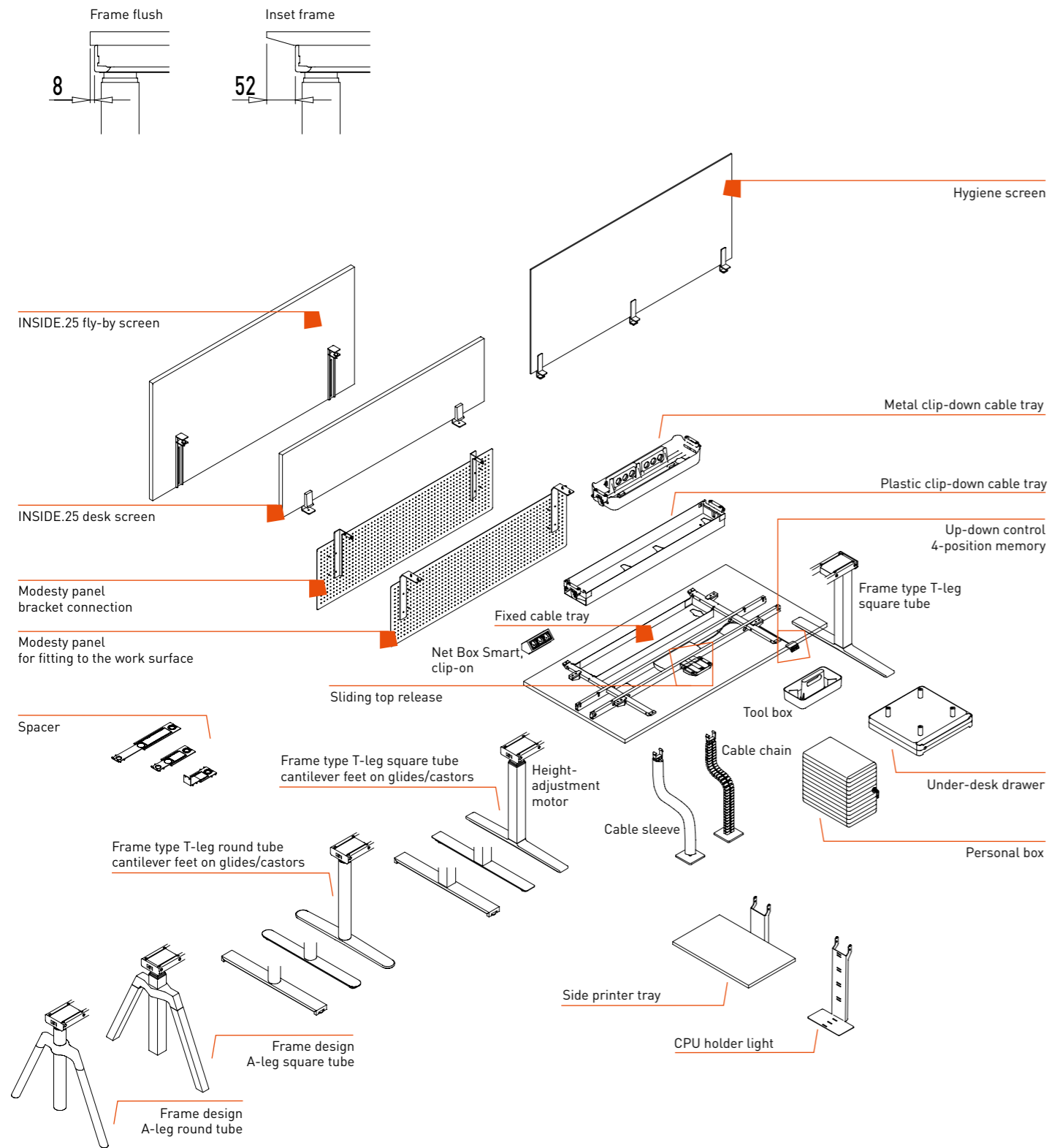


## QUICK.III

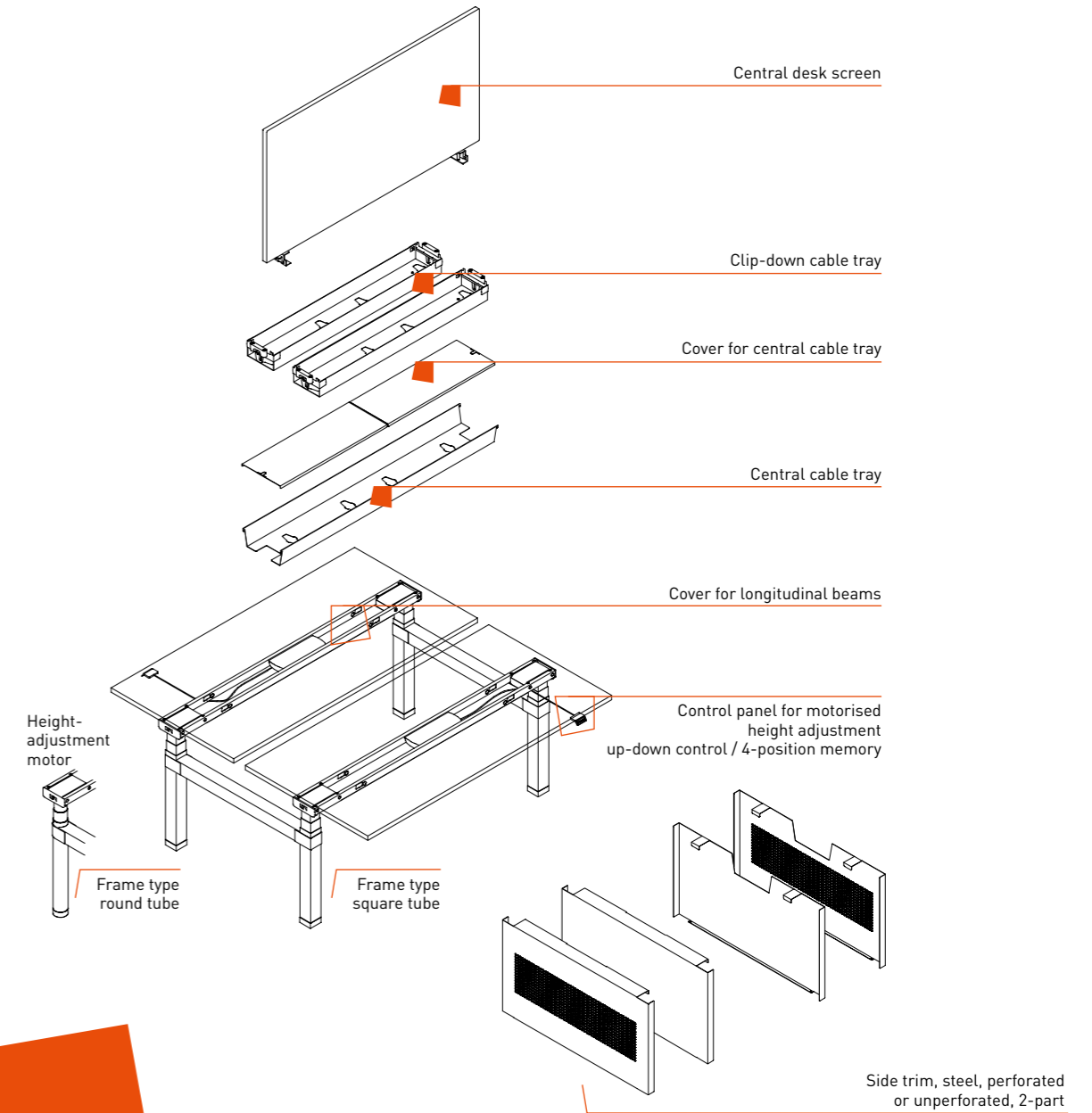
- + Suitable for communication zones or workstations
- + Gas-lift height adjustment, operated left or right below the seat
- + Seat height from 535 to 750 mm – controls also act as a grab handle when carrying the stool
- + Upholstered seat is covered with hard-wearing fabric
- + Non-slip ribbing ensures good stability



# SYSTEM OVERVIEW SINGLE WORKSTATION

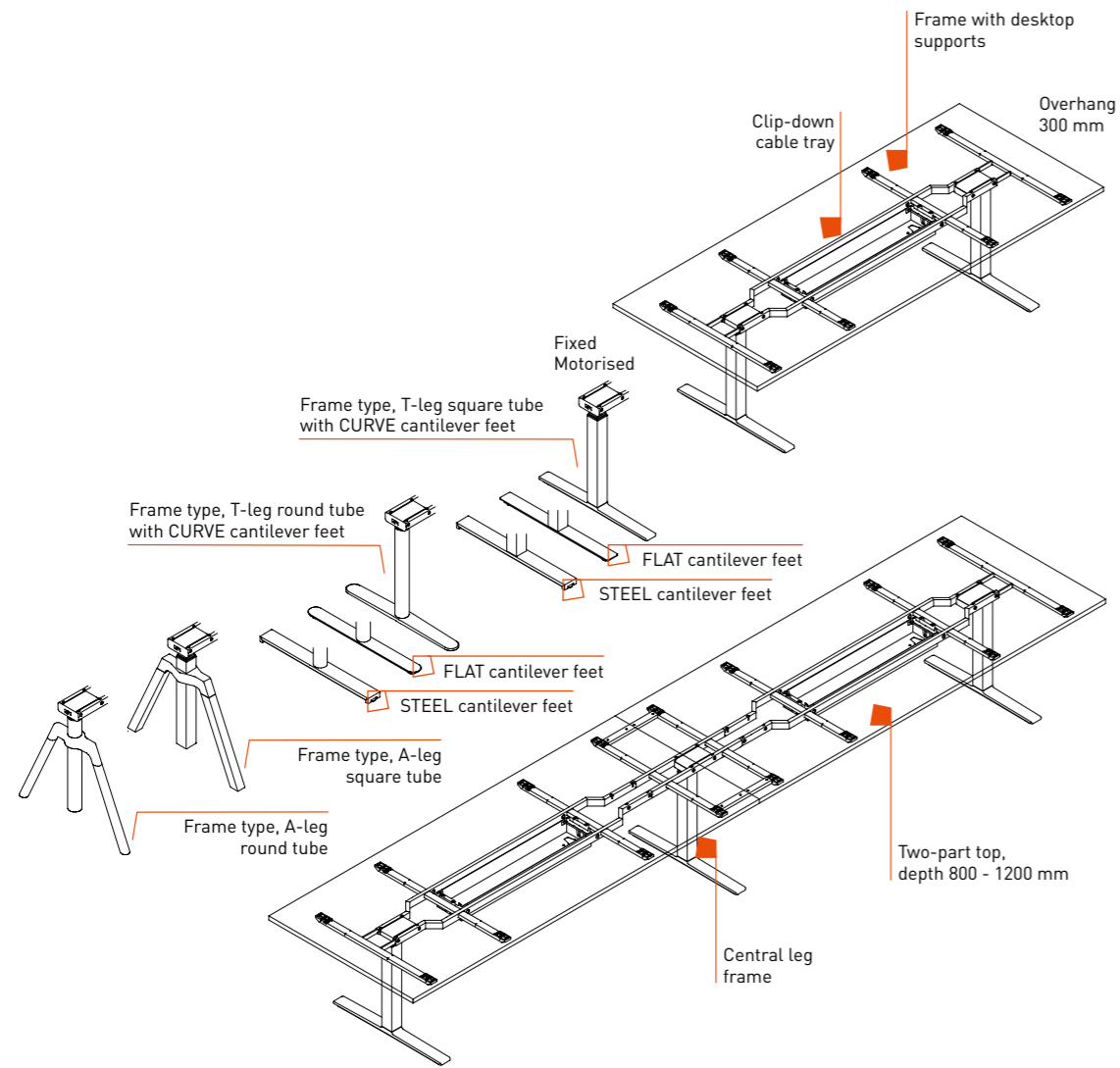


# TEAM WORKSTATION

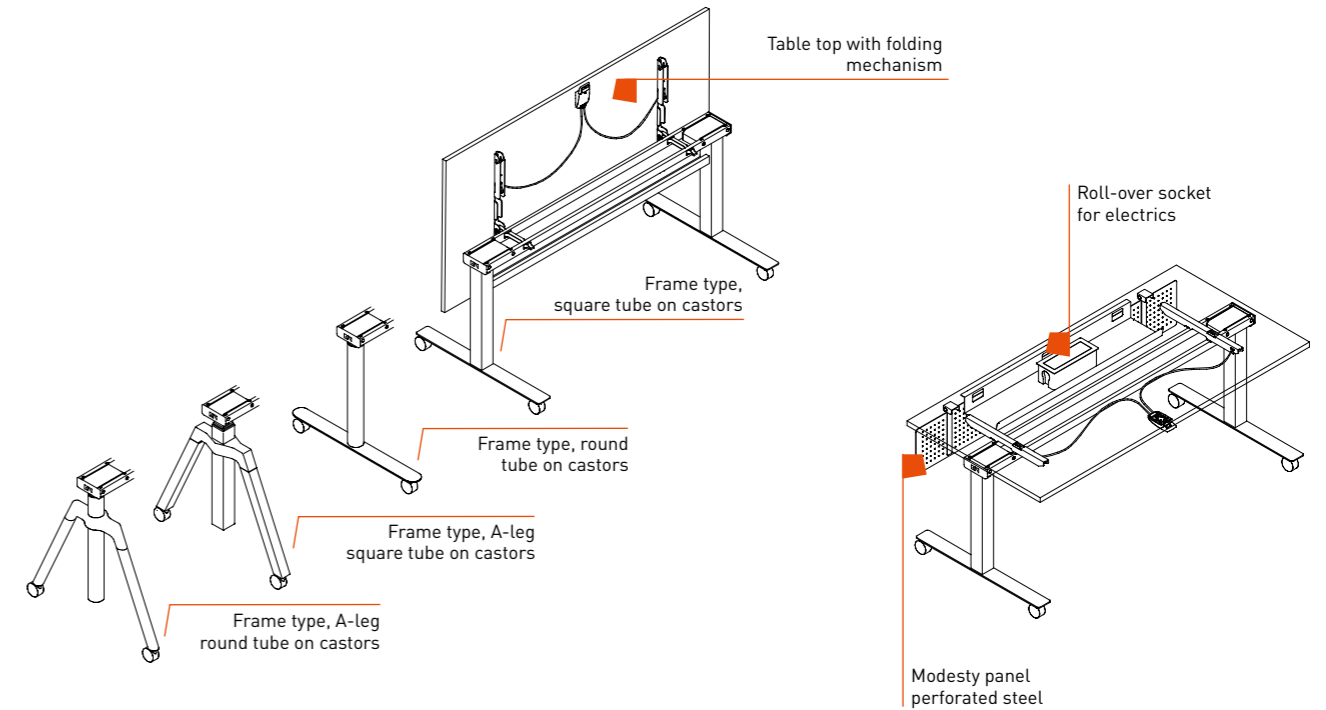


**DISCOVER**  
more screen variants for  
visual and acoustic protection  
in our product portfolio!

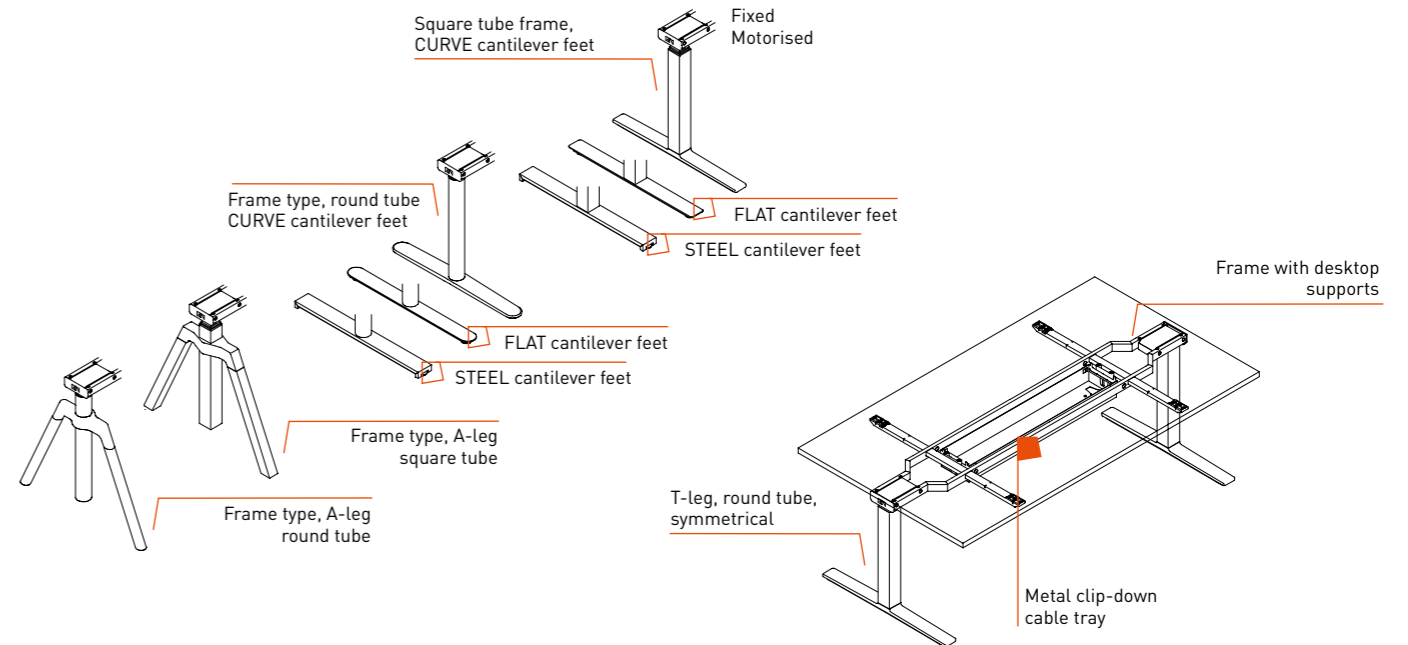
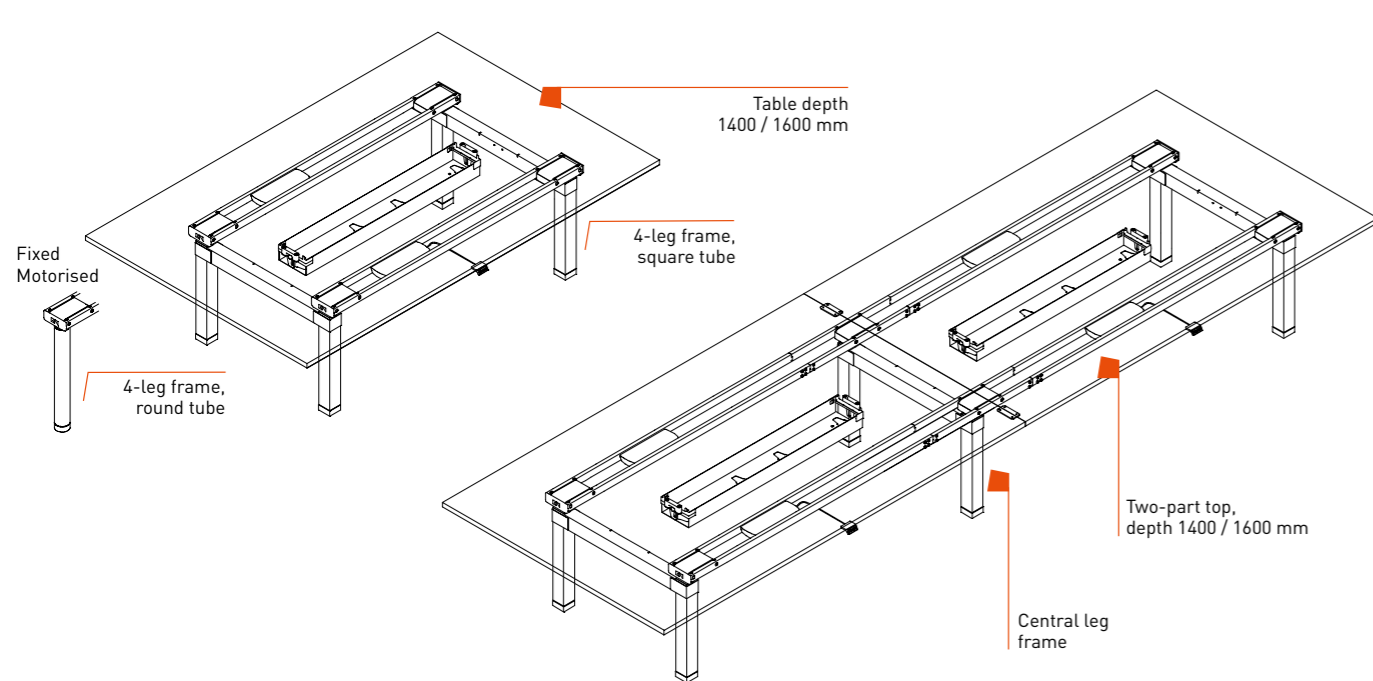
# CONFERENCE TABLES



# NESTING TABLE



# MEETING TABLE



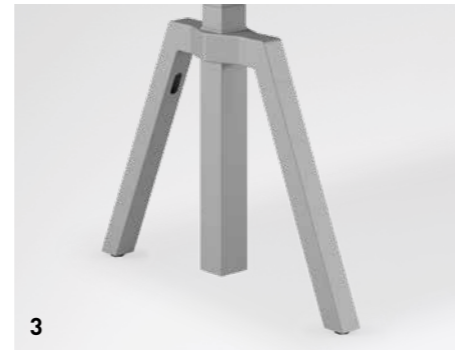
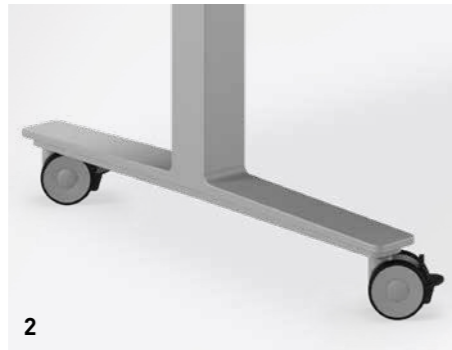
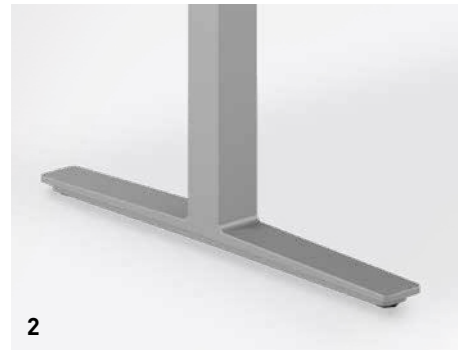
# DETAILS

## 1 | FRAME LEGS

Square tube (70 x 70 mm), round tube (Ø 70 mm).

### HEIGHT ADJUSTMENT OPTIONS

- Fixed height
- Height adjustment
- Electric motor



## 2 | FRAME TYPES

Symmetrical on glides or castors.

## 3 | FRAME DESIGN

Square/round tube leg columns are also available with an A-leg frame in steel tube or real wood.



## 4 | CABLE DUCT WITH CABLE CHAIN

Houses vertical electrics for motorised and lift desks.

## 5 | CPU HOLDER

Can be fitted to the inside or outside of leg frame.



## 6 | FABRIC-COVERED DESK SCREENS

Flexible solutions as desktop screens connected by adaptors or clamps - or alternatively as fly-by screens for fitting behind the desk.



## 7 | CABLE TRAYS

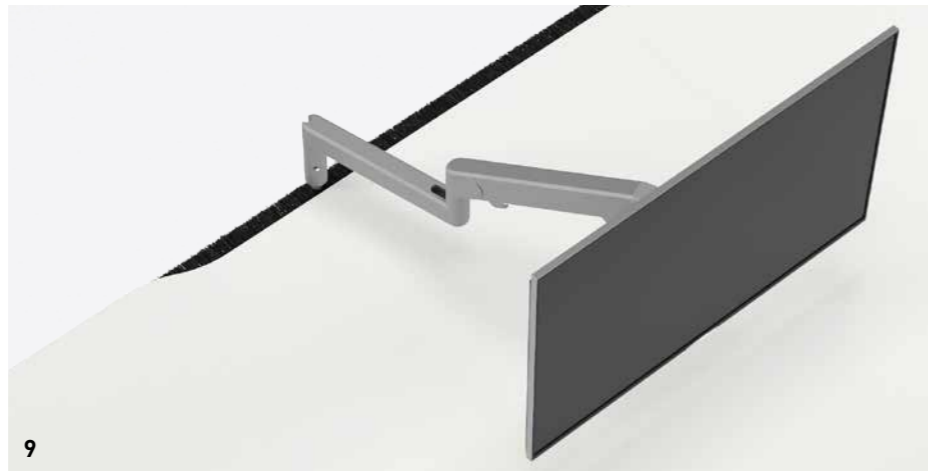
Fixed or fold-down cable trays. Central cable trays, with or without a cover, height from floor: 420 mm, dimensions: H 100 x D 249/ 219 mm





**8 | SMOOTH-RUNNING SLIDING TOP**  
Allows convenient access to cables from above, fast and efficient.

**9 | ELECTRICS CUT-OUT**  
With brush seal and tool rail to hold flat screen monitors. Also suitable for bench systems.



**10 | OPERATING CONSOLE**  
In 2 variants for infinite motorised height adjustment.



10

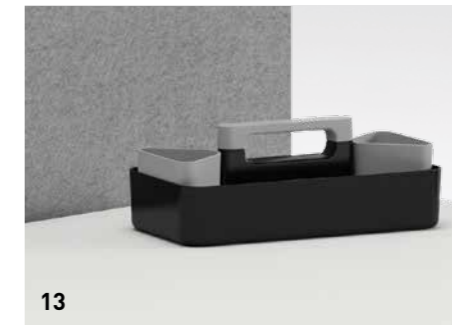


**11 | DIALOGUE DESK**  
Organic free-form or rectangular. Frame width 1600 mm. Depending on requirements the meeting side can be selected on the left or right.

11



12



13

**12 | UNDER-DESK DRAWER**  
Plastic under-desk drawer, lockable. Max. load 4 kg. Housing, black or white.

**13 | TOOL BOX**  
Tool box with or without cup holder (for 2 cups). Plastic. Box in black or white, cups available in black or grey.

**14 | PERSONAL BOX**  
Multifunctional, can be used as storage or seat (with a mobile base on castors and cushion pad).

**MATERIAL**  
The black Personal Box is made of sustainable recycled PET material. (ABS/PA6 GF30 - recycled PET material).



14



15



15

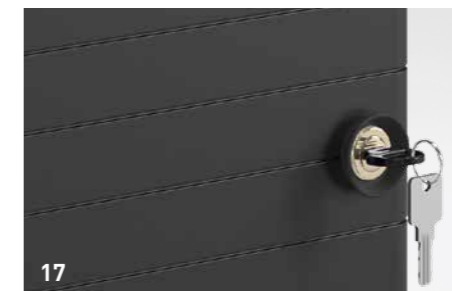


16

**15 | CONNECTION TO DESKTOP**  
The box can be connected to the left or right of a 25 mm top by means of a clamp adaptor. The connection kit is supplied. The box rotates through 180°, allowing it to be used on either side.

**16 | SPECIFICATION/OPTIONS**  
The optional interior fittings include a key holder and a phone holder.

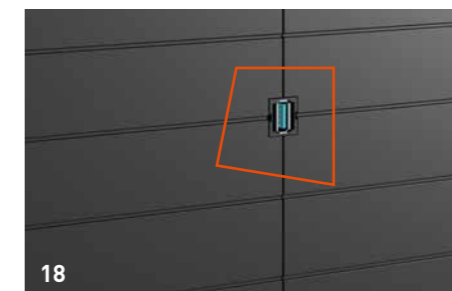
**17 | LOCKS**  
The door features a "softclose" mechanism for silent closing. If required it can be fitted with an interchangeable core cylinder or combination lock.



17



17



18

**18 | KEYSTONE**  
The plug connection system can be supplied with USB-A 3.0 Key Stone as an additional option.

# DETAILS

## BENCH



19

19

### 19 | CENTRAL SCREEN FOR PRIVACY

The effective screen provides privacy as well as offering acoustic advantages.

### 20 | FUNCTIONAL SIDE TRIM

Optionally either perforated steel or closed to accommodate cables.



20

# K+N SMART.OFFICE

## Take your place in the agile work culture – with a smart, stress-free approach

How can we organise rooms and processes efficiently even though people are working everywhere? How can we empower agile project teams so that they can work within a structure whilst remaining healthy? **K+N SMART.OFFICE** networks the room, furniture and people together, turning challenges into opportunities.

**K+N SMART.OFFICE** is a digital service that provides a simple way of organising space so that it's used efficiently. To achieve this, sensors are installed in rooms and on furniture. **K+N SMART.OFFICE** can be used via a phone app or from the desktop.

The system includes modules that you can integrate into your infrastructure individually or in combination.



With the

## K+N SMART.OFFICE COMPANION

it's easy for employees to book rooms and workstations which makes organising dynamic work cultures efficient.

- + Find and book vacant desks and meeting rooms
- + Filter by number of people and equipment
- + Touch screen in the meeting rooms, instant booking option
- + Find colleagues

With the

## K+N SMART.OFFICE STUDY

you can make space and furniture use transparent and highlight potential for optimisation – to plan space use more efficiently.

- + Identify the full potential of space and resource utilisation
- + View data in real time
- + Use comprehensive analysis for new, efficient room and space planning

Discover now at  
[smart-office.de](http://smart-office.de)

# WIRE MANAGEMENT CONFERENCES AND MEETINGS

## 1 | WIRELESS CHARGING

Wireless charging for mobile devices, marked with a sticker on the table top.



## 2 | VARIABLE WIRE MANAGEMENT

Choose from all the usual electrics options.



## 3 | INTELLIGENT SOCKET

Rotating electrics with 3, 4 and 5-gang options.



## 4 | INTEGRAL CABLE COVER

The integral cable cover features variable sockets.

## 5 | VERSATILE SOCKET

The desktop sockets clip flexibly onto the table, and can accommodate several connections.



## 6 | PRACTICAL CABLE GROMMET

Functional and understated: the plastic grommet.



## 7 | TIDY SOLUTION

This flexible cable clip bundles up to eight cables together under the table top.

# FINISHES

## DESK TOP SURFACES

## FRAME COLOURS

MFC SOLID COLOUR	MFC WOOD EFFECT	VENEER	FENIX	POWDER-COATED METAL	TEXTURED FINISH
<b>GK</b> Grey	<b>AA</b> Acacia	<b>AH</b> Canadian maple unstained	<b>7V</b> Fenix black	<b>AL</b> Aluminium coloured	<b>KSS</b> Black
<b>GW</b> Off-white	<b>AO</b> Maple	<b>BH</b> Beech unstained	<b>7M</b> Fenix white	<b>AM</b> Anthracite metallic	
<b>KH</b> Light grey	<b>ET</b> Oak natural	<b>CK</b> American cherry	<b>7J</b> Fenix dark grey	<b>GC</b> Chrome	
<b>KT</b> Aluminium coloured	<b>MB</b> Beech	<b>EN</b> Oak natural	<b>7I</b> Fenix dark beige	<b>GK</b> Grey	
<b>UM</b> Melange	<b>NM</b> Walnut	<b>SN</b> American walnut natural		<b>GW</b> Off-white	
<b>WI</b> Pure white	<b>UL</b> Elm			<b>KH</b> Light grey	
				<b>KS</b> Black RAL 9011	
				<b>PK</b> Metal clear varnish	
				<b>WI</b> Pure white	

Subject to technical and programme alterations, printing and other errors. Printed colours may vary from actual colours.

# SYSTEM OVERVIEW



Single desk



Bench



Nesting table



Conference table



Meeting

Top configurations:					
<b>Legs/Frame</b>					
	T-leg (round and square tube)	■	■	■	■
	4-leg column with connecting cross beam	-	-	-	-
	Frame type, A-leg	■	■	■	■
	Design cantilever feet	■	■	■	■
	Castors	■	■	■	■
<b>Dimensions</b>					
	Widths	800, 1000, 1200, 1400, 1600, 1800, 2000 mm	1200, 1400, 1600, 1800, 2000 mm	2400, 2800, 3200, 4000 mm	1200, 1400, 1600, 1800, 2000, 2200, 2400, 2400, 3200, 3600, 4000 mm
	Depths	600, 700, 800, 900, 1000 mm	1480, 1680, 1880 mm	800 mm	1400, 1600 mm
<b>Height adjustment</b>					
	Fixed height	-	-	-	-
	Height-adjustable (Allen key)	650 - 850 mm	750 mm	750 mm	750 mm
	Electric motor	640 - 1300 mm (double telescopic action)	640 - 1300 mm (double telescopic action)	640 - 1300 mm (double telescopic action)	640 - 1300 mm (double telescopic action)
<b>Table tops</b>					
	Top thickness	25 mm chipboard (MFC or veneer)	25 mm chipboard (MFC or veneer)	25 mm chipboard (MFC or veneer)	25 mm chipboard (MFC or veneer)
		13 mm plywood (not suitable for table depths above 1000 mm)	-	-	-
		Veneer	Veneer	Veneer	Veneer
		Fenix	Fenix	Fenix	Fenix
		15° undercut for 25 mm top	15° undercut for 25 mm top	15° undercut for 25 mm top	15° undercut for 25 mm top
		Top corners with radius	-	Top corners with radius	Top corners with radius
<b>Wire management</b>					
	Sliding top	□	□	□	□
	Horizontal	With matching clip-down cable tray or cable clip	□	□	□
	Vertical	Additional cable chains, cable ducts and clip-on cable sleeve	■	■	■
	Cut-outs/adapters	Cut-outs and adapters can be positioned as required	□	□	□
	Electrics cut-out	With brush seal and tool rail	■	■	■
	Table-top electrics	Choice of electrics options	□	□	□
<b>3rd level add-ons</b>					
		As option via adapter	-	-	-
	At sides	-	-	-	-
		Modesty panel	-	-	-
		Personal Box optional with accessories	-	-	-
		Under-desk drawer	-	-	-
	Desk screens	Covered with fabric with acoustic properties, rail, fly-by screen	-	-	-



■ Standard □ Optional



# K+N NOOK

# GET THE LOOK!



**BASES**  
Various models available:  
+ Stackable four-legged and cantilever models  
+ Four-legged model on castors  
+ Four-legged model on spider base  
+ Starbase  
+ Counter chair

TESTED FOR USERS WEIGHING UP TO 130 KG

**K+N NOOK COUNTER**  
On starbase with or without castors



## SELECTION OF FABRICS AND COLOURS

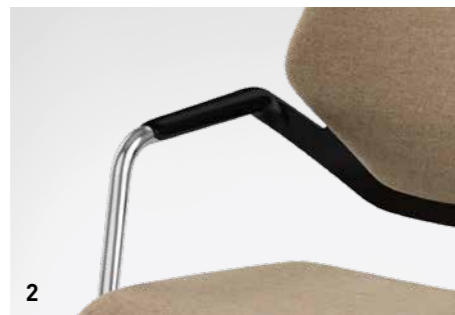
14   43	14   47	20   71
28   53	22   85	21K   62
34   61	39   43	31   23

Subject to technical and programme alterations, printing and other errors. Printed colours may vary from actual colours.

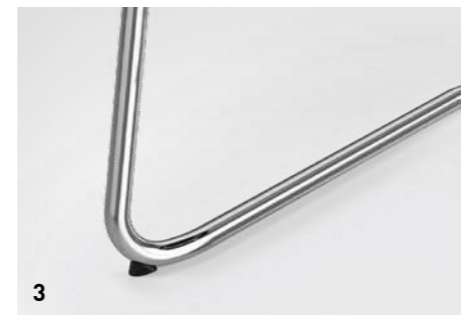
# DETAILS



**1 | BACKREST**  
Attractive and modern, unupholstered or with optional cushion pad.



**2 | ARMREST**  
Black plastic, attached directly to the backrest.



**3 | CANTILEVER MODEL**  
For use on carpeted floors, available without glides, with anti-tilt feet.



**4 | BASE TYPES - CONFERENCE CHAIRS**  
New four-legged model on spider base.

**SPECIFICATION POTENTIAL FOR VISITOR CHAIRS AND CONFERENCE CHAIRS**  
OKAY.II, JET.ONE and JET.II available with many new base and armrest options.



# PRODUCT OVERVIEW



Base		Visitor chair
Four-legged model	Round steel tube, stackable (x4)	■
Four-legged model on castors	Round steel tube, stackable (x3)	■
Cantilever model	Round steel tube, stackable (x4)	■

Backrest		
	Black plastic, unupholstered	■
	Black plastic, upholstered	■

Armrests		
	Fixed, black plastic wrap	■

Dimensions	
Seat height	
- on glides	Four-legged model 440 mm, cantilever model 445 mm
- with anti-tilt feet	Cantilever model 434 mm
- on castors	Four-legged model 440 mm
Seat width	439 mm
Seat depth	470 mm
Back width	466 mm
Total height	Four-legged model 906 mm, cantilever model 910 mm
Armrest height, measured from the ground	688 mm

Colours	
Base	Black, textured matt black, aluminium-coloured, white, chrome
Glides	Black
Castors	Black
Armrests	in same colour as base, black armrest pad
Shell	Black



Base		Conference chair
Four-legged model on spider base	Steel	■
Starbase	Black plastic	■
	Black powder-coated aluminium, textured matt black, aluminium-coloured, white	□
	Polished aluminium, chrome	□
Counter model on starbase	Black plastic	■
	Black powder-coated aluminium, textured matt black, aluminium-coloured, white	□
	Polished aluminium	□

Backrest		
	Black plastic, unupholstered	■
	Black plastic, upholstered	■

Armrests		
	Fixed, steel, black plastic wrap	■

Dimensions	
Seat height	
- on glides	Four-legged model 440 mm, Starbase 389 - 510 mm, Counter model 594 - 799 mm
- on castors	Starbase 425 - 546 mm, Counter model 630 - 835 mm
Seat width	439 mm
Seat depth	470 mm
Back width	466 mm
Total height	Four-legged model 906 mm, Starbase 896 mm, Counter model 1120 mm
Armrest height, measured from the ground	Four-legged model 688 mm

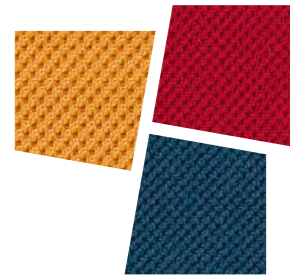
Colours	
Base	Black, textured matt black, aluminium-coloured, white, chrome
Starbase	Black, textured matt black, aluminium-coloured, white, chrome, polished aluminium
Starbase counter model	Black, textured matt black, aluminium-coloured, white, polished aluminium/ Foot ring black, with top surface brushed aluminium
Glides	Black
Castors	Black
Armrests	Black, textured matt black, aluminium-coloured, white, chrome Black pad
Shell	Black

■ Standard □ Optional



# QUICK.III STAND IN STYLE

**COLOUR OPTIONS**  
Available with a black or white base with black seat pad as standard



Optional choice of seat fabrics from fabric group 14  
Sample selection of fabric colours



**SEAT PAD**  
Comfortable padding with heavy-duty fabric cover

**HEIGHT ADJUSTMENT**  
Intuitive gas lift adjustment with controls on right and left

535-750 mm  
**SEAT HEIGHT**  
The seat height can be adjusted from 535 mm to 750 mm

**SUPPORT COLUMN**  
The non-slip ribbing gives QUICK.III good stability despite its multi-directional mobility



# DETAILS AND PRODUCT OVERVIEW



**1 | BUTTON FUNCTIONS**  
The buttons on the right and left under the seat control the height adjustments and can also be used as carry handles.

**2 | STABILITY**  
Its non-slip profiling gives QUICK.III good stability despite its multi-directional mobility.

**3 | SHIPPING AND PACKAGING**  
QUICK.III is always supplied ready for assembly in a cardboard box – standard delivery is by trucks or parcel courier (there may be an additional charge). Instructions for assembly and operation are printed on the packaging.



**Technology**

Seat height adjustment	535 - 750 mm via gas lift	■
------------------------	---------------------------	---

**Seat**

	Upholstered, black	■
	Upholstered, fabric group 14	□

**Dimensions**

Disc foot	380 mm ø
Sitting/standing height	535-750 mm
Seat width	370 mm
Seat depth	240 mm
Weight	5.6 kg
Packaging	Packed in cardboard box 440 x 380 x 300 mm

■ Standard □ Optional



**QUIET.BOX DUO XL**  
Stand-alone meeting cube  
for four people – organic or  
rectangular variant



**NET.WORK.PLACE Organic**  
Optimum conditions for a better way of working



**AURAY**  
Representative management and conference chair for design  
aficionados with minimalist styling



**LIFE.S INTERACTION**  
Multifunctional solution for spontaneous meetings in  
communication and bistro areas



**OKAY.III**  
The swivel chair with bounce effect

As a leading brand for  
office furniture and room  
systems, König + Neurath  
develops solutions for  
individual work cultures

Together with specialist retailers, König + Neurath supports its customers throughout the entire process of outfitting offices. With differentiated style collections, design-conscious furniture and digital solutions, the family-owned company, established in 1925, helps its customers to adapt successfully to the changing nature of the workplace.

**Deutschland**

König + Neurath AG  
Industriestraße 1-3  
61184 Karben  
T +49 6039 483-0  
info@koenig-neurath.de

**Great Britain**

K + N International Ltd.  
52 Britton Street  
London EC1M 5UQ  
T +44 20 74909340  
info@koenig-neurath.co.uk

**Nederland**

König + Neurath Nederland  
Beethovenstraat 530  
1082 PR Amsterdam  
T +31 20 4109410  
info@konig-neurath.nl

**France**

König + Neurath AG  
53, rue de Châteaudun  
75009 Paris  
T +33 1 44632393  
info@koenig-neurath.fr

**Schweiz**

König + Neurath (Schweiz) GmbH  
St. Gallerstrasse 106 d  
CH-9032 Engelburg / St. Gallen  
T +41 52 7702242  
info@koenig-neurath.de

**Österreich**

König + Neurath AG  
Gonzagagasse 1 / Morzinplatz  
1010 Wien  
T +43 676 4117512  
info@koenig-neurath.de