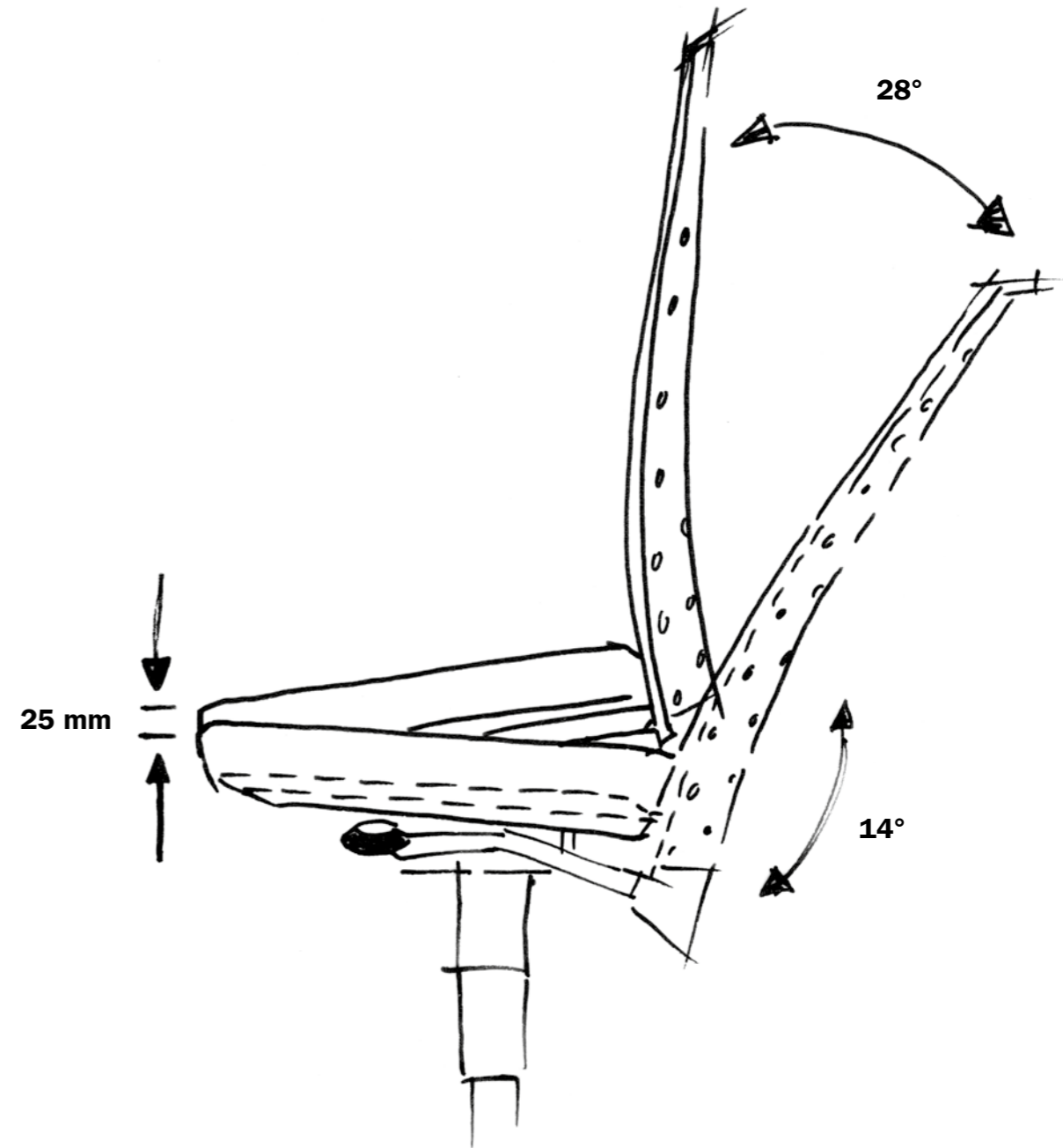

**A miracle of
movement
and design**

TENSA



Focused working. Dynamic sitting.

TENSA's elaborate ergonomic concept is completely orientated around the natural flow of human movement



The idea: a task chair that supports the body in every working position and through every movement – and adapts to every user. The reality: a true miracle of movement with patented DTS synchro mechanism (Dynamic Torsion System), lumbar support, individual adjustment options and multi-function armrests. TENSA encourages healthy sitting at work – and convinces with its elegant design by ITO.



TENSA responds with precision – in every direction. The patented DTS synchro mechanism supports the body perfectly through forward and backward movement with the ideal synchro ratio of 1:2. At the same time the front edge of the seat drops, which stimulates the blood circulation in the legs. The twistable backrest and lateral seat movement ensures that the sitting posture always remains perfect even during sideways movements and twisting.



TENSA TS, a chair that adapts. For example to the furniture: its modern design and selection of colours and materials means that it makes a good impression in any work environment. The integral lumbar support ensures that the chair adapts individually to the sitter's back. It can be adjusted in height and depth in a few easy steps, and it provides "spot support" for the lower back regardless of height and weight.



Hightech for the back. The backrest of the TENZA TS is dynamic from a point of view of ergonomics and design. The role model is the human back. The open, flexible ribs adapt to the body contours of the user – for a pleasant, healthy sitting experience. The optional headrest is height-adjustable so that the neck and shoulders are always relaxed at work.



- 1 | Comfortable:** The upholstered TENZA back pad, with its optional lumbar support (adjustable in height and curvature), provides the highest level of sitting comfort.
- 2 | Innovative:** The TENZA TS backrest follows the curvature of the human spine in both shape and technology.
- 3 | Luxurious:** The optional headrest for the TENZA TS is height-adjustable to reduce strain on the muscles of the shoulders and neck.



4



5

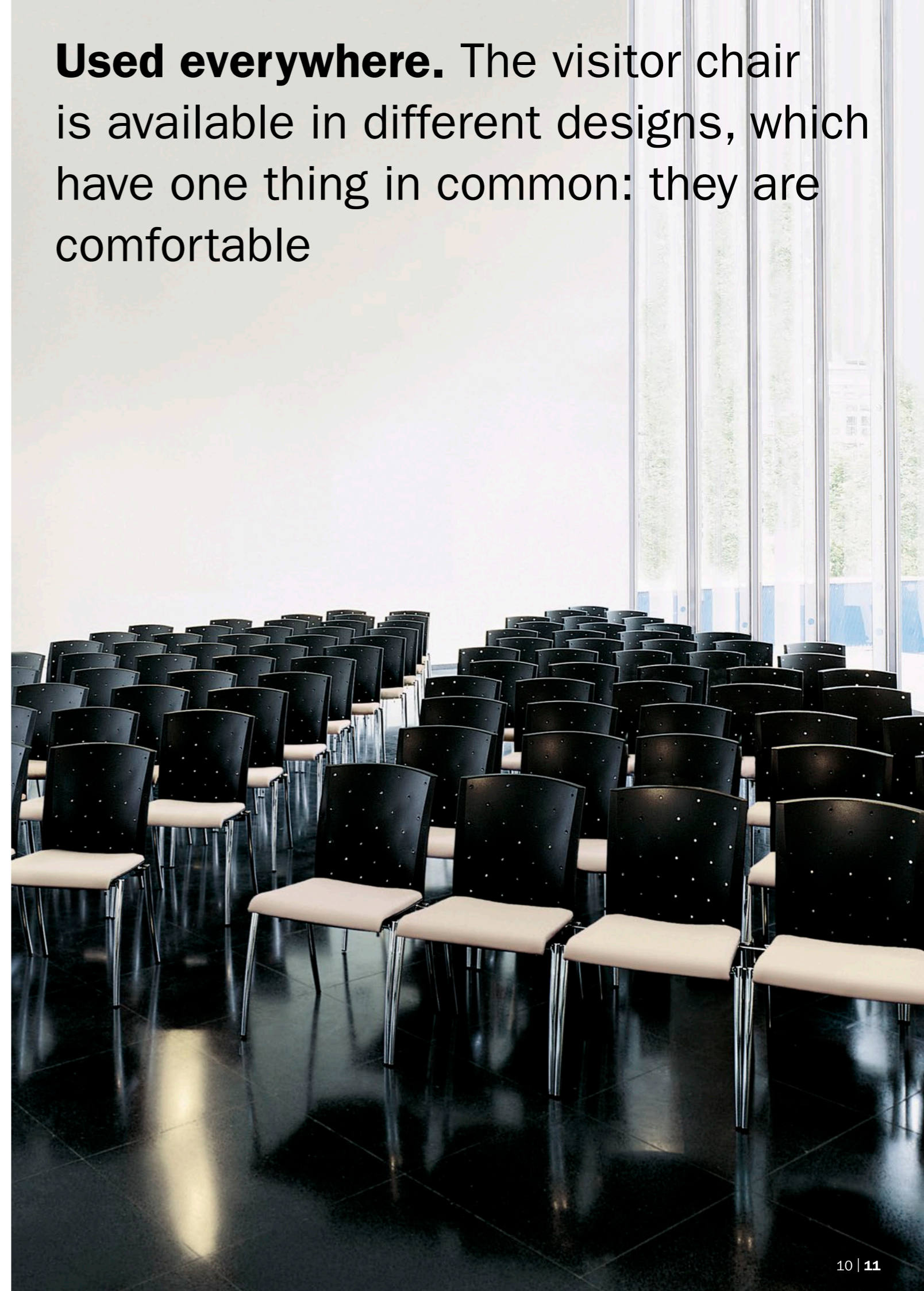


6



7

Used everywhere. The visitor chair is available in different designs, which have one thing in common: they are comfortable



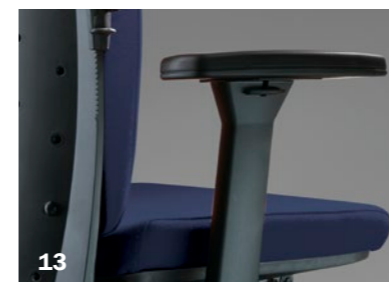
4 | Casual: The cantilever chair is particularly comfortable with seat upholstery.

5 | Elegant: The four-legged visitor chair with its colour-contrast backrest.

6 | Space-saving: The cantilever version is also available as a stacking chair.

7 | Practical: There is a stacking version of the four-legged chair as well.

Mobility from head to toe – Ergonomics as it should be



8 | Shapely: The TENSA TS backrest adapts to the shape of the body. The coloured fabric insert creates a highlight.

9 | Flexible: The twistable TENSA backrest provides support even during sideways movement and twisting.

10 | Ergonomic: The integral lumbar support of the TENSA S features precise height and curvature adjustment.

11 | Optimised: When the seat tilt is adjusted, the seat is lowered, keeping the pelvis upright.

12 | Optional: The height-adjustable TENSA TS headrest is available in leather and fabric.

13 | Variable: The height and supporting surfaces of the ergonomic multifunctional armrests can be set to suit the individual.

14 | Patented: The DTS synchro mechanism supports every movement and holds the body in the correct posture at all times.

15 | Mobile: Four different starbase designs – optionally in aluminium or black plastic.

Product overview



TENSA task chair		
Technology		
Mechanism	Patented DTS synchro mechanism	●
Opening angle	28°	●
Synchro ratio	1 : 2	●
Individual weight setting	45 – 120 kg	●
Infinitely variable seat height adjustment	405 – 520 mm	●
Seat depth adjustment	50 mm, 6 positions	●
Seat tilt adjustment	0°/4° forward tilt	●
Locking backrest	4 positions	●
Seat pads	Foam	●
Seat shock absorption	Yes	●
Armrests		
3D multifunctional armrests	Height, width and depth adjustable, pads swivel	○
3D multifunctional armrests with soft pad	Height, width and depth adjustable, pads swivel	○
Backrest		
	Plastic, upholstered with/without lumbar support	●
Lumbar support	Height adjustable, 150 – 320 mm, curvature adjustable up to 40 mm	○
Dimensions		
Seat height	405 – 520 mm	
Seat width	470 mm	
Seat depth	405 – 455 mm	
Backrest width	450 mm	
Backrest height	580 mm	
Colours		
Starbases		
Plastic (2 versions)	Black	●
Aluminium (tapered or low base)	Black/ alu coloured/ anthracite metallic	●
	Alu polished	○
	Chrome	○
Castors (carpet or hard floors)	Black	●
Armrests	Plastic, black	○
3D multifunctional armrests	Pad leather (optional)	○
Shell	Black	●

● Basic ○ Option



TENSA TS task chair		
Technology		
Mechanism	Patented DTS synchro mechanism	●
Opening angle	28°	●
Synchro ratio	1 : 2	●
Individual weight setting	45 – 120 kg	●
Infinitely variable seat height adjustment	405 – 520 mm	●
Seat depth adjustment	50 mm, 6 positions	●
Seat tilt adjustment	0°/4° forward tilt	●
Locking backrest	4 positions	●
Seat pads	Foam	●
Seat shock absorption	Yes	●
Armrests		
3D multifunctional armrests	Height, width and depth adjustable, pads swivel	○
3D multifunctional armrests with soft pad	Height, width and depth adjustable, pads swivel	○
Backrest		
	TS backrest with upholstery, integrated lumbar support	●
Lumbar support	Height adjustable, curvature adjustable up to 40 mm, there is a "park" position	●
Headrest		
	Height adjustable, 90 mm, fabric or leather	○
Dimensions		
Seat height	405 – 520 mm	
Seat width	470 mm	
Seat depth	420 – 470 mm	
Backrest width	450 mm	
Backrest height	580 mm	
Colours		
Starbases		
Plastic (2 versions)	Black	●
Aluminium (tapered or low base)	Black/ alu coloured/ anthracite metallic	●
	Alu polished	○
	Chrome	○
Castors (carpet or hard floors)	Black	●
Armrests	Plastic, black	○
3D multifunctional armrests	Pad leather (optional)	○
Shell	Black	●

● Basic ○ Option



TENSA visitor's chair		
Frame		
Cantilever	Round steel tube, stackable (5x)	●
Cantilever	Round steel tube, non-stackable	●
Four legs	Round steel tube, stackable (10x)	●
Row linking		○
Armrests		
	Fixed, plastic, black	○
Backrest		
	Plastic shell, un-upholstered	●
	With back upholstery	●
Seat		
	Plastic shell, un-upholstered	●
	With seat upholstery	●
Measurements		
Seat height without upholstery	420 mm	
Seat height with upholstery	435 mm	
Seat width	460 mm	
Seat depth	455 mm	
Back width	430 mm	
Back height	455 mm	
Colours		
Frame	Black/ alu coloured/ anthracite metallic	●
	Chrome	○
Castors (carpet or hard floor)	Black/anthracite	●
Armrests	Black	●
Shell	Black/blue/orange	●

● Basic ○ Option

Deutschland

König + Neurath AG
Büromöbel-Systeme
Industriestraße 1-3
61184 Karben
Tel.: +49 (0)6039 483-0
Fax: +49 (0)6039 483-214
e-mail: info@koenig-neurath.de
www.koenig-neurath.de

Great Britain

K + N International
(Office Systems) Ltd
52 Britton Street
London EC1M 5UQ
Tel.: +44 (0)20 74909340
Fax: +44 (0)20 74909349
e-mail: info@koenig-neurath.co.uk
www.koenig-neurath.co.uk

Nederland

König + Neurath Nederland
Office Furniture
Beethovenstraat 530
1082 PR Amsterdam
Tel.: +31 (0)20 4109410
Fax: +31 (0)20 4109419
e-mail: info@konig-neurath.nl
www.konig-neurath.nl

France

König + Neurath AG
Showroom Paris
66, rue de la Victoire
75009 Paris
Tel.: +33 (0)1 44 63 23 93
Fax: +33 (0)1 44 63 23 97
e-mail: info@koenig-neurath.fr
www.koenig-neurath.fr

Schweiz

König + Neurath (Schweiz) GmbH
Büromöbel-Systeme
St. Gallerstrasse 106 d
CH-9032 Engelburg / St. Gallen
Tel.: +41 (0)52 770 22 42
e-mail: info@koenig-neurath.de
www.koenig-neurath.de